

Translation of the Original Operating Instructions



Rotary Vane Pump

UNO/DUO 2.5, DUO 2.5 C
UNO 5

idealtvac.com
Ideal
vacuum products
(505)872-0037
idealtvac.com

PFEIFFER  **VACUUM**

DUO Line

Table of contents

1	About this manual	3
1.1	Validity	3
1.2	Conventions	3
2	Safety	5
2.1	Safety precautions	5
2.2	Proper use	5
2.3	Improper use	5
3	Transport and storage	6
3.1	Transport	6
3.2	Storage	6
4	Product description	7
4.1	Product identification	7
4.2	Function	8
5	Installation	8
5.1	Setting up the pump	8
5.2	Filling up the operating fluid	9
5.3	Connecting the vacuum side	10
5.4	Connecting the exhaust side	10
5.5	Connecting to the mains power supply	11
6	Operation	13
6.1	Before switching on the pump	13
6.2	Switching on	13
6.3	Pumping condensable vapours	13
6.4	Switching off the pump	16
7	Maintenance	16
7.1	Precautions	16
7.2	Changing the operating fluid	17
8	Decommissioning	19
8.1	Shutting down for longer periods	19
8.2	Restarting the pump	19
8.3	Disposal	19
9	Malfunctions	20
9.1	Rectifying malfunctions	20
10	Service	22
11	Spare parts	23
11.1	Spare parts packages	23
12	Accessories	26
13	Technical data	27
13.1	Dimensions	28
	Declaration of conformity	30

1 About this manual

1.1 Validity

This operating manual is for customers of Pfeiffer Vacuum. It describes the functioning of the designated product and provides the most important information for safe use of the unit. The description follows applicable EU guidelines. All information provided in this operating manual refer to the current state of the product's development. The documentation remains valid as long as the customer does not make any changes to the product.

Up-to-date operating instructions can also be downloaded from www.pfeiffer-vacuum.net.

Applicable documents

UNO/DUO 2.5, UNO 5, DUO 2.5 C	Operating instructions
Safety information for vacuum pumps "Safety Guide"	PT 0300 BN*
Declaration of Conformity	Part of this document
Operating instructions for accessories (order-specifically)	see section "accessories"*

*also available via www.pfeiffer-vacuum.net

For information about other certifications, if applicable, please see the signet on the product or:

- www.tuvdotcom.com
- TUVdotCOM-ID 0000021320

1.2 Conventions

Safety instructions

The safety instructions in Pfeiffer Vacuum operating manuals are the result of risk evaluations and hazard analyses and are oriented on international certification standards as specified by UL, CSA, ANSI Z-535, SEMI S1, ISO 3864 and DIN 4844. In this document, the following hazard levels and information are considered:

DANGER
Immediate danger Death or very severe injuries can occur.
WARNING
Possible danger Injuries or severe property damages can occur.
CAUTION
Possible danger Injuries or property damages can occur.
NOTE
Command or note Command to perform an action or information about properties, the disregarding of which may result in damage to the product.

Pictograph definitions



Prohibition of an action or activity in connection with a source of danger, the disregarding of which may result in serious accidents.



Warning of a displayed source of danger in connection with operation of the unit or equipment.



Command to perform an action or task associated with a source of danger, the disregarding of which may result in serious accidents.

Instructions in the text

→ Work instruction: here you have to do something.

Abbreviations used

C version: Corrosive gas version

Symbols used

The following symbols are used consistently throughout in all illustrations:

- ⓪ Vacuum flange
- Ⓛ Exhaust flange
- Ⓜ Gas ballast valve
- Ⓧ Power connection

2 Safety

2.1 Safety precautions



NOTE

Duty to inform

Each person involved in the installation, operation or maintenance of the vacuum pump must read and observe the safety-related parts of these operating instructions.

- Absolute observe the safety information for vacuum pumps (PT 0300 BN) !
- The operator is obligated to make operating personnel aware of dangers originating from the vacuum pump, the pumped medium and the entire system.

- Do not expose any body parts to the vacuum.
- Observe the safety and accident prevention regulations.
- Check regularly that all safety precautions are being complied with.
- Do not carry out any unauthorised modifications or conversions to the pumps.
- Depending on the operating and ambient conditions, the surface temperature of the pumps may rise above 70 °C. Use suitable finger guards if necessary.
- When returning the pumps to us please note the instructions in the Service section.

2.2 Proper use



NOTE

CE conformity

The manufacturer's declaration of conformity becomes invalid if the operator modifies the original product or installs additional components.

- Following installation into a plant and before commissioning, the operator must check the entire system for compliance with the valid EU directives and reassess it accordingly.

- The vacuum pump may only be used to generate a vacuum.
- Installation, operating and maintenance regulations must be complied with.
- Other accessories than those described in this manual must not be used without the agreement of Pfeiffer Vacuum.

2.3 Improper use

Improper use will cause all claims for liability and guarantees to be forfeited. Improper use is deemed to be all use for purposes deviating from those mentioned above, especially:

- Pumping of corrosive gases (exception: pumps in C version).
- Pumping of explosive media.
- Operation of the pump in potentially explosive areas.
- Pumping of gases containing impurities such as particles, dusts and condensate; note the vapour compatibility levels of the pump.
- Pumping of substances that tend to sublime.
- Use of the vacuum pump to generate pressure.
- Pumping of liquids.
- The use of operating fluids not specified by Pfeiffer Vacuum.
- Connection to pumps or units which are not suitable for this purpose according to their operating instructions.
- Connection to units which have exposed voltage-carrying parts.

3 Transport and storage

3.1 Transport

Transport instructions

- Remove the locking cap from the vacuum and exhaust flange immediately before connecting!
 - Check the cone strainer, paying attention to the o-ring.
- Use only the handle on the top side of the pump to lift the pump.

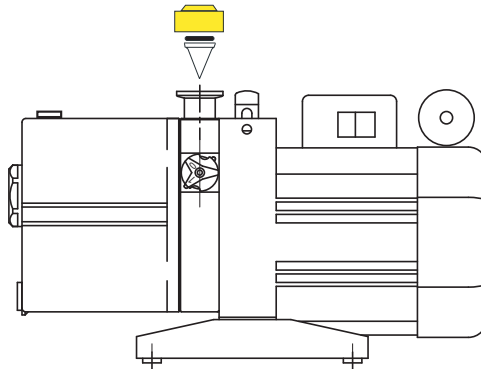


Fig. 1: Transporting the pump

3.2 Storage

- Check that all the openings on the pump are securely closed.
- Store the pump in a cool, dry place; preferably at room temperature (approx. 20°C).
 - For a longer period of storage, seal the pump in a PE bag with drying agents enclosed.
 - For a period of storage longer than one year, it is recommended to carry out maintenance and change the operating fluid.

4 Product description

4.1 Product identification

To correctly identify the product when communicating with Pfeiffer Vacuum, always have the information from the rating plate available and use it:

- Pump model and model number
- Type and amount of operating fluid
- Date of manufacture

Please find the voltage range and motor-related data on the separately attached motor rating plate.

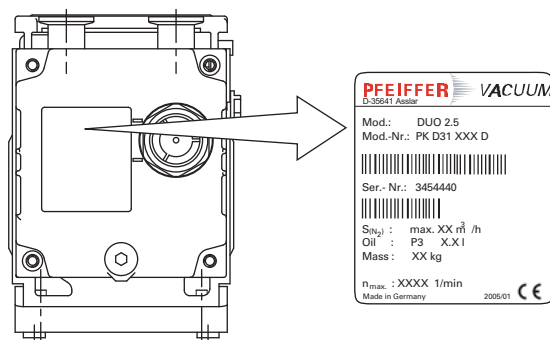


Fig. 2: Product identification on the rating plate

Scope of delivery

- Pump with motor and power cord
- Operating fluid P3 (for standard pump)
- Cone strainer and centering ring/centering ring with nozzle with O-rings
- Locking cap for vacuum and exhaust flange
- Operating instructions

Differences between the pump types

Pump type	Pump versions
UNO 5, UNO 2.5	Standard version of pump <ul style="list-style-type: none"> • Centering ring at the exhaust flange
DUO 2.5	Standard version of pump <ul style="list-style-type: none"> • Centering ring with nozzle at the exhaust flange
DUO 2.5 C	C version of pump; differences from the standard version: <ul style="list-style-type: none"> • Operating fluid F4 • Gas ballast valve with dosable flushing gas connection • Vane material different • Leak rate $\leq 1 \cdot 10^{-5}$ mbar * l/s

4.2 Function

Vacuum pumps of the UNO/DUO series are oil-sealed, single-/two-stage rotary vane vacuum pumps. The vacuum pumps are equipped with a high vacuum safety valve that vacuum seals the vacuum chamber and vents the pump at the same time when the pump is at standstill.

The pumps are suitable for use in laboratories to generate coarse and medium vacuums and can also be used as backing pumps on diffusion or turbomolecular pumps.

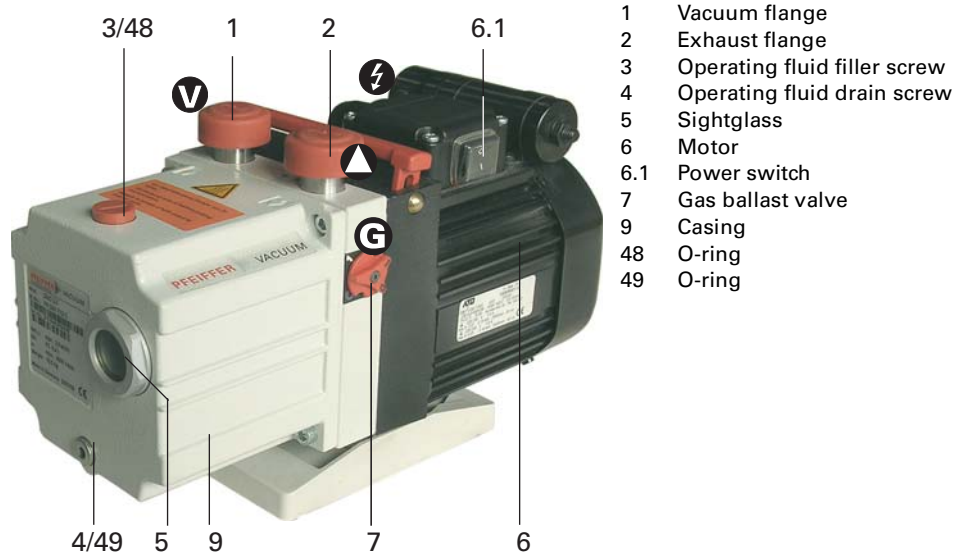


Fig. 3: UNO/DUO 2.5 Rotary vane vacuum pump

5 Installation

5.1 Setting up the pump

Installation location

Observe the following requirements when setting up the pump:

- Note the load-bearing capacity of the mounting surface
- Maximum angle of inclination 10° to each side
- Maximum erection height 2000 m N.N.
- Permissible ambient temperature: +12 ... +40°C
- Maximum relative humidity 85%

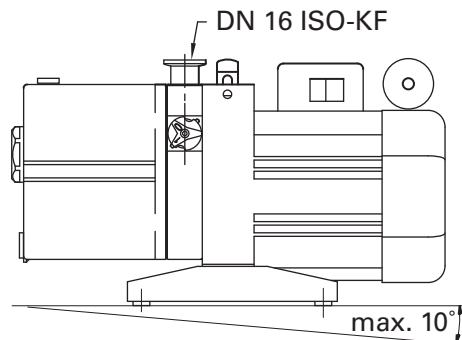


Fig. 4: Setting up

- Fill up with operating fluid before operating the first time (see p. 9, chap. 5.2).
 - Amount and type according to rating plate
- Always place the pump on a firm, even surface.
- Where stationary installation is involved, anchor the pump on site; if necessary, exchange the base for one with mounting holes (on request).
- When installing the pump in a closed housing, ensure there is sufficient air circulation.
 - Sightglass and gas ballast valve must be visible and readily accessible.
 - Voltage and frequency information given on the motor rating plate must be visible.

5.2 Filling up the operating fluid

The type and amount of operating fluid should be visible on the pump's rating plate for every rotary vane pump.

The delivery consignment for the **standard pump** contains sufficient operating fluid for one filling. Pumps for special applications (e.g. for pumping corrosive gases) can be operated with other operating fluids. These must be defined in accordance with Pfeiffer Vacuum specifications before initial assembly and ordered separately.

Permissible operating fluids

- P3 (Standard operating fluid)
- F4 (Operating fluid for corrosive gas versions)
- D1 (for special applications and higher operating temperature)
 - Final pressure of measurement, depending on the type of gas: $< 5 \cdot 10^{-2}$ mbar



NOTE

Only permissible operating fluid ensure the safe function of the pump!

Performance data of the pump are determined with the standard operating fluid. These can deviate from the default values when using other certified operating fluids.

→ Use application-specific operating fluid only after consultation with Pfeiffer Vacuum.

Filling up the operating fluid

- Unscrew operating fluid filler screw 3.
- Fill up operating fluid;
 - correct filling level during operations: Within the markings at the sightglass frame.

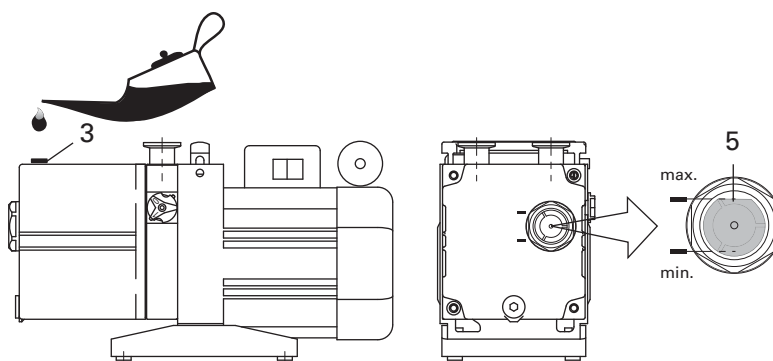


Fig. 5: Filling up the operating fluid

- Screw in operating fluid filler screw 3.
- Check operating fluid level only when the pump is warm and running; close
 - vacuum flange and gas ballast valve to do so,

- Check operating fluid daily in non-stop operation, otherwise whenever the pump is switched on. Refilling is possible when the pump is in final vacuum operation.



WARNING

Toxic vapours!

Danger of poisoning when igniting and heating synthetic operating fluids (e.g. F4/F5) above 300°C.

- Observe the application instructions of the operating fluid manufacturer.
- Do not allow operating fluid to make contact with tobacco products; observe safety precautions when handling chemicals.

5.3 Connecting the vacuum side

- Remove locking cap from the vacuum flange;
 - pay attention to the cone strainer and the respective O-ring in the intake port.
- The connection between the pump and the recipient should be kept as short as possible.
 - Depending on the pump type, use metallic hoses or PVC hoses with flange connections.
 - Separators, filters etc. may be installed upstream to protect the pump (see accessories). However, please observe the loss of pumping capacity due to the conductivity of the accessories.

5.4 Connecting the exhaust side

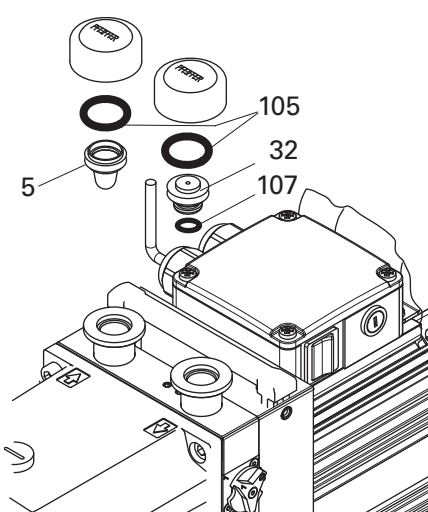


CAUTION

High pressure in the exhaust line!

Danger of damage to the seals and danger of the pump bursting.

- Install the line without shut-off valves on the exhaust side.
- If there is danger of a build-up of excess pressure (> 1500 mbar abs.) in the lines, observe all official accident prevention safety regulations.
- If the exhaust gases are being extracted, the exhaust pressure must be at least 250 mbar greater than the pressure at the intake side.



- 5 Cone strainer
- 32 Centering ring/Centering ring with nozzle
- 105 O-ring
- 107 O-ring

- Before attaching the piping at the exhaust flange remove locking cap and insert centering ring/centering ring with nozzle with the respective O-rings.

- Choose the cross-section of the exhaust line to be at least the size of the nominal connection diameter of the vacuum pump's exhaust connection.
- Piping to the pump must be suspended or supported.
 - Physical forces from the piping system must not be allowed to act on vacuum pumps.
- Lay piping from the pump sloping downward so that no condensate can flow back into the pump; otherwise fit a condensate separator.
 - If an air trap is created in the system, then a device for draining condensation water must be provided at the lowest point.



WARNING

Emission of toxic substances from the exhaust!

Danger of poisoning from emitted gases or vapours, which can be detrimental to health and/or can pollute the environment, depending on the particular application.

- Comply with the applicable regulations when working with toxic substances.
- Only officially approved filter systems may be used to separate and remove these substances.

5.5 Connecting to the mains power supply



CAUTION

Excess voltage!

Danger of destroying the motor.

- Power connections must comply with local regulations. Voltage and frequency information given on the motor rating plate must correspond to the mains voltage and frequency values.
- To protect the motor and supply cable in case of malfunction, mains fuse protection must be implemented.



WARNING

Danger of injury from moving parts!

After power failure or motor shutdown due to overheating, the motor may restart automatically.

- Secure the motor so that it cannot be switched on while any work is being performed on the pump.
- If necessary, dismantle the pump from the installation for inspection.

Single phase motors

The vacuum pumps are fitted with a built-in thermal protection switch. Depending on the type of pump, different motor versions with a power cord are possible:

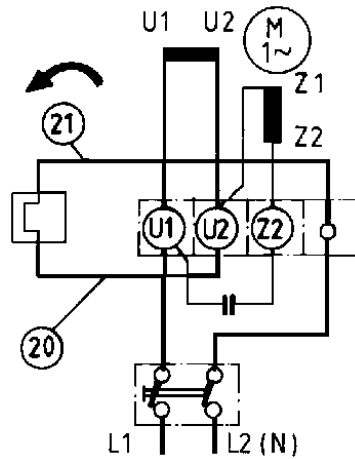
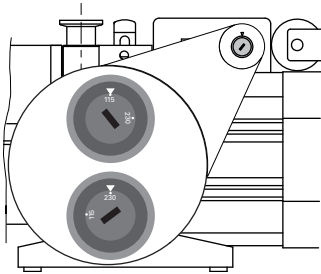


Fig. 6: Motor circuit diagram with switch

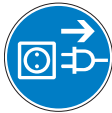
Changing the voltage range

Only valid for pumps with reversible motor:



- The mains voltage must be determined on-site each time before the pump is installed or moved to a different location.
- Disconnect the pump from the power supply.
- Set the desired voltage range on the voltage selector switch using a suitable screwdriver.

Switch position:	"115"	"230"
Voltage ranges:	115 V ±10%, 50/60 Hz,	230 V ±10%, 50/60 Hz



NOTE

Overvoltage!

An incorrect voltage range setting can damage the motor.

- Disconnect the pump from the power supply.
- Only change the voltage range when the pump is disconnected from the power mains.

Fuse protection

- To protect the motor in case of malfunction, carry out fuse protection in accordance with the regional regulations.
 - Select a fuse with slow characteristics.

Motor voltage [V]	Frequency [Hz]	Nominal current [A]	Recommended fuse, slow [A]	Cable/plug version
95 ... 105 100 ... 115	50 60	3.2 3.8	6 6	with 2 m cable, Japanese plug und UL certificate (only for winding insulation)
100 ... 105 110 ... 130	50 60	3.2 3.6	6 6	mit 2 m cable, USA plug and UL certificate (for motor)
190 ... 210 200 ... 220	50 60	1.6 2	4 4	mit 2 m cable, without plug and UL certificate (for motor)
220 ... 240 220 ... 240	50 60	1.4 1.8	4 4	with 2 m cable and three-pin plug
115/230 115/230	50 60	2.8/1.4 3.6/1.8/	6/4 6/4	with 2 m cable, without plug with UL certificate for motor (motor switchable)

6 Operation

6.1 Before switching on the pump

- Check the operating fluid level in the sightglass.
- Compare the voltage and frequency information on the rating plate with the mains voltage and frequency values.
- Check that the exhaust connection allows free flow (max. permissible pressure 1.5 bar absolute).
 - Activate the shut-off valves in such a way that they open before or at the same time as the pump is started.
- Protect the pump sufficiently from taking in contaminants by means of suitable precautions (e.g. dust filters); if necessary, check operating fluid regularly or replace at shorter intervals.

6.2 Switching on

The pump can be switched on in any pressure range between atmospheric and ultimate pressure.

No special precautions are necessary when pumping dry gases. In order to attain the lowest possible final pressures, the gas ballast valve should be closed.



CAUTION

Hot surface!

Danger of burns if hot parts are touched. Depending on the operating and ambient conditions, the surface temperature of the pump may rise above 70 °C.

- In this case, use suitable finger guards.

6.3 Pumping condensable vapours

Should the process gases contain condensable gases present at high percentages, the rotary vane pump must be operated with a gas ballast (i.e. with an open gas ballast valve).



CAUTION

Bad final vacuum and damage to the pump!

Danger of condensation and corrosion due to exceeding the water vapour compatibility (see Technical data) during operation without a gas ballast or in case of insufficient supply of flushing gas.

- Only pump vapours when the pump is warm and the gas ballast valve is open.
- When the process has been completed, allow the pump to continue running for about 30 minutes with the vacuum flange closed and the gas ballast open for operating fluid regeneration purposes.

Gas ballast valve, standard version

To avoid condensation in the pump when pumping condensable vapours, air is periodically fed into the working chamber at the beginning of the compression phase via the gas ballast valve 7.

The gas ballast valve is closed when turning to the right to position 0 and open when turning to the left to position 1. Intermediate settings are not possible.

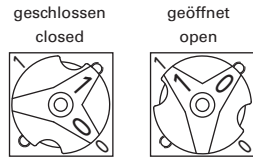
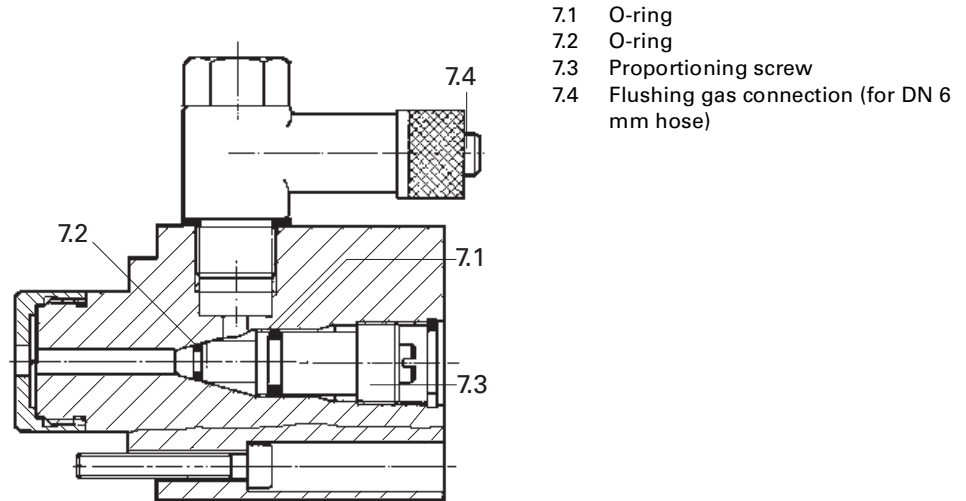


Fig. 7: Standard version of gas ballast valve

Gas ballast valve, corrosive gas version

If the pumping process requires the connection of flushing gas, the C version of the gas ballast with the flushing gas connection must be used.



- 7.1 O-ring
- 7.2 O-ring
- 7.3 Proportioning screw
- 7.4 Flushing gas connection (for DN 6 mm hose)

Fig. 8: Corrosive gas version of gas ballast valve

- Connect flushing gas at the flushing gas connection 7.4.
- Set flushing gas pressure; maximum pressure 1.2 bar (absolute).
 - Select the type and amount of flushing gas depending on the process; consult Pfeiffer Vacuum if necessary.
- Use the proportioning screw 7.3 to set the desired amount of gas.
 - Closed when fully turned to the right; open when fully turned to the left.

Gas ballast valve with solenoid valve

To control the flow of the flushing gas externally, an electromagnetic valve can also be used as an alternative to the versions described above. The valve makes it easier to operate the gas ballast and allows clean air or other gas to be let in in a process-controlled manner.



CAUTION

Flushing gas pressure higher than allowed endangers the operational reliability of the pump.

The power input of the pump, the temperature and the ejection of operating fluid will increase.

- Observe the maximum permissible flushing gas pressure.
- Set the amount of flushing gas on site; dosing is not possible when using a solenoid valve!

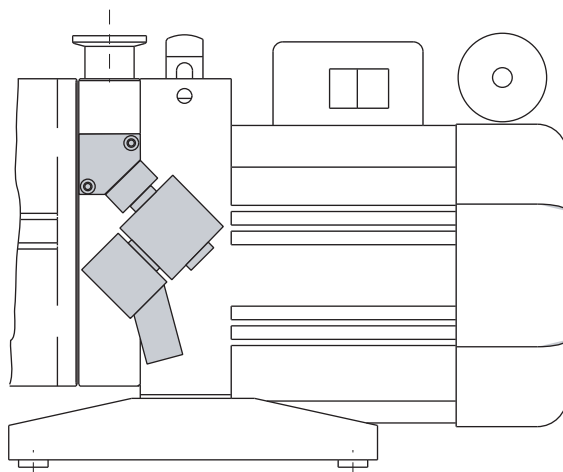


Fig. 9: Solenoid valve for controlling the gas ballast inlet

Performance data of the solenoid valve

2/2 way valve	closed when disconnected
Supply voltage	24 VDC, +/- 10 %
Power input	4 W
Socket	Type 2506
Threaded connection of flushing gas	1/8" inside
Flushing gas pressure	max. 1.2 bar (absolute)
Amount of flushing gas	max. 250 l/h

6.4 Switching off the pump

The pump can be switched off in any pressure range.

Rotary vane pumps have an integrated safety valve on the intake side. If the differential pressure between the exhaust side and the intake side is ≥ 250 mbar, then the valve closes automatically and vents the pump when the pump is switched off.

→ Switch the pump off at the mains switch or disconnect from the mains in a secure manner.

Venting the vacuum chamber



CAUTION

Danger of backflow of operating fluid into the intake line!

Contamination of the connected vacuum system!

- Vent the vacuum chamber within 30 s, regardless of the chamber size.
- For a longer venting process, use an additional shut-off valve and shut off the intake line after switching off the pump.

Maintaining the vacuum in the chamber



CAUTION

Danger of backflow of operating fluid into the intake line!

Contamination of the connected vacuum system!

- Because the safety valve of the pump is not suitable for longer-term sealing, install an additional shut-off valve in the intake line.
- Shut off the intake line immediately after switching off the pump.

7 Maintenance

7.1 Precautions



WARNING

Danger of injury from moving parts!

After power failure or motor shutdown due to overheating, the motor may restart automatically.

- Secure the motor so that it cannot be switched on while any work is being performed on the pump.
- If necessary, dismantle the pump from the installation for inspection.



WARNING

Pump parts may be contaminated from pumped media!

Danger of poisoning due to contact with harmful substances.

- Decontaminate the pump before carrying out any maintenance work.
- In the event of contamination, take suitable safety precautions to prevent your health from being harmed by any dangerous substances.

- Switch off the pump, vent it to atmospheric pressure and let it cool down.
- Disconnect the drive motor from the mains and secure it so that it cannot be switched on.
- Only dismantle the pump as far as necessary in order to repair defects.
- Dispose of used operating fluid in compliance with local regulations.
- When using synthetic operating fluids or working with toxic substances or substances contaminated with corrosive gases, the relevant instructions governing their use must be observed.
- Use only alcohol or similar agents for cleaning pump parts.

Checklist for inspection, maintenance and overhaul

Certain repair and overhaul work should only be performed by Pfeiffer Vacuum Service (PV). Pfeiffer Vacuum will be released from all warranty and liability claims if the required intervals for inspection, maintenance, or overhaul are exceeded or inspection, maintenance, repair or overhaul procedures are not performed properly. This also applies if replacement parts other than Pfeiffer Vacuum OEM replacement parts are used.

Activity	daily	as required; at least annually	as required; at least every 2 years	as required; at least every 4 years
Check operating fluid level	X			
Visual inspection (leak-tightness/oil leaks)	X			
Check filter insert of external oil mist filter (if existent)	X			
Change filter insert of external oil mist filter (if existent)		X		
Change operating fluid		X		
Change oil filter (if existent)		X		
Cleaning the pump and renew the seals		X		
Clean gas ballast valve and silencer		X		
Clean the motor fan cap		X		
Replace radial shaft seal			X (PV)	
Clean or change vacuum safety valve			X (PV)	
Clean or change exhaust valves			X (PV)	
Change vanes				X (PV)
Check or change coupling				X (PV)

Depending on the process, the required replacement intervals for lubricants and the intervals for inspection, maintenance and overhaul may be shorter than the guide values specified in the table. Consult with Pfeiffer Vacuum Service if necessary.

7.2 Changing the operating fluid

The changing interval for the operating fluid depends on the pump applications, but should be carried out once a year.



NOTE

Depending on the applications, Pfeiffer Vacuum recommends determining the exact service life of the operating fluid during the first year of operation.

The replacement interval may vary from the guide value specified by Pfeiffer Vacuum depending on the thermal and chemical loads, and the accumulation of suspended particles and condensation in the operating fluid.

- Switch off pump.
- Unscrew operating fluid drain screw 4 and drain operating fluid.

- Fill the specimen in a test tube or some similar vessel and test by holding against the light.
- The level of deterioration of operating fluid P3 can be read off the colour scale in accordance with DIN 51578; request the supplementary sheet PK 0219 BN or download it from the Internet.
- Where discolouration is dark yellow to red brown (equivalent to 4 ... 5 on the scale) change operating fluid.

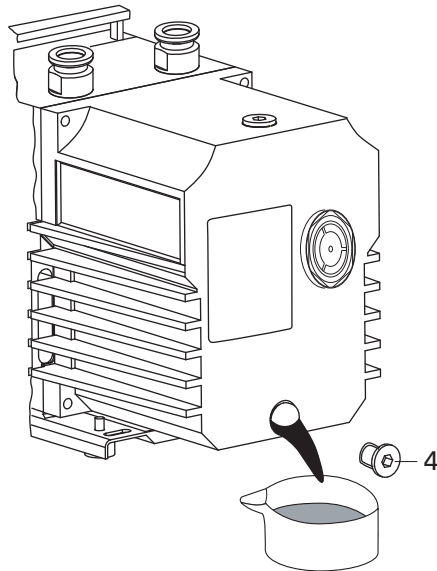


Fig. 10: Draining the operating fluid



WARNING

Hot operating fluid!

- Danger of burns when draining due to contact with skin.
- Wear suitable protective clothing.
 - Use a suitable collecting vessel.



WARNING

Operating fluid may contain toxic substances from the pumped media!

- Danger of poisoning from the emission of harmful substances from the operating fluid.
- Wear suitable protective clothing and respirators.
 - Dispose of operating fluid according to the local regulations

- Screw in operating fluid drain screw 4; pay attention to o-ring.
- Allow pump to run for a maximum of 5 seconds with the vacuum flange open.
- Drain off remaining operating fluid.
 - In case of serious contamination, the operating fluid will have to be changed several times (flushing):

Flushing

- Fill up with operating fluid to the middle of the sight glass.
- Operate the pump with the gas ballast open until the pump has warmed up.
- Drain the operating fluid again and check for contamination, flush again if necessary.
- Screw the operating fluid drain screw back in.
- Fill up with operating fluid and check the filling level (*siehe S. 9, Kap. 5.2*).

**NOTE****Request safety data sheets for operating fluids and lubricants**

from Pfeiffer Vacuum or download them from the Internet.

→ Dispose of operating fluid according to the local regulations.

8 Decommissioning

8.1 Shutting down for longer periods

Before shutting down the pump, observe the following procedure and adequately protect the pump system against corrosion:

- Switch off pump.
- Change operating fluid (see p. 17, chap. 7.2).
- Start the pump and allow the pump to warm up.
- Fill up the pump with new operating fluid to the top edge of the sightglass.
- Close vacuum flange and exhaust flange with locking caps.

8.2 Restarting the pump

Visually inspect the inner of the pump before taking it into operation. If there is evidence of rust on the parts of the pump which form the housing, then do not take it into operation and contact Pfeiffer Vacuum Service.

Depending on how long the pump is taken out of operation, it may be necessary to replace the radial shaft sealing ring. With reference to DIN 7716 and the manufacturer's specifications we recommend replacing the installed elastomer parts after 2 years.

→ If drying pearls were inserted then they should be removed now. Improper handling can cause failure of the pump.

**CAUTION****Emission of operating fluid!**

Danger of the operating fluid being emitted at the exhaust flange if overfilled.

→ Drain the operating fluid to the normal level before restarting the pump.

8.3 Disposal

Products or parts thereof (mechanical and electrical components, operating fluids, etc.) may cause environmental burden.

→ Safely dispose of the materials according to the locally applicable regulations.

9 Malfunctions

Please note the following instructions should the pump malfunction:



CAUTION	
Hot surface!	<p>Danger of burns if hot parts are touched. The surface temperature of the pump may rise above 105 °C in case of malfunction.</p> <p>→ Carry out work on the pump only after it has cooled to a safe temperature.</p>



NOTE	
Motor overload!	<p>Depending on the malfunction (e.g. blocking during cold start), the motor may not be sufficiently protected by the built-in thermal protection switch from damage through overheating.</p> <p>→ Implement an additional network safety device.</p>

9.1 Rectifying malfunctions

Problem	Possible causes	Remedy
Pump will not start up	No mains voltage or voltage does not correspond to the motor data	Check mains voltage and mains fuse protection; check motor switch
	Pump temperature too low	Warm up pump to > 12°C
	Thermal protection switch has responded	Detect and fix cause of overheating; allow pump to cool off if necessary.
	Pump system dirty	Clean pump; contact Pfeiffer Vacuum Service if necessary.
	Pump system damaged	Clean and overhaul pump; contact Pfeiffer Vacuum Service if necessary.
Pump switches off after a while after being started	Motor defective	Replace motor
	Thermal protection switch of the motor has responded	Detect and fix cause of overheating; allow motor to cool off if necessary.
	Mains fuse protection triggered due to overload (e.g. cold start)	Warm up pump
Pump does not attain final pressure	Exhaust pressure too high	Check opening of exhaust line and exhaust accessories
	Measurement reading is false	Check gauge, check final pressure without installation connected.
	Pump or connected accessories are dirty	Clean pump and check components for contamination.
	Operating fluid dirty	Operate pump for a longer period with gas ballast valve open or change operating fluid
	Leak in system	Repair leak
	Operating fluid filling level too low	Top off operating fluid
Pumping speed of pump too low	Pump damaged	Contact Pfeiffer Vacuum Service.
	Intake line not well-dimensioned	Keep connections as short as possible and see that cross-sections are sufficiently dimensioned
	Exhaust pressure too high	Check opening of exhaust line and exhaust accessories

Problem	Possible causes	Remedy
Loss of operating fluid	Swivel gasket leaky	Check tightness; replace gasket if necessary
	Radial shaft seal ring leaky	Replace seal ring and check bushing
	Operational loss of operating fluid	If necessary, install oil mist filter and oil return unit
Unusual operating noises	Silencer dirty	Clean or replace the silencer.
	Damage to the pump system	Clean and overhaul pump; contact Pfeiffer Vacuum Service if necessary.
	Motor bearing defective	Replace motor; contact Pfeiffer Vacuum Service if necessary



NOTE

Service work should be carried out by qualified personal only!

Pfeiffer Vacuum is not liable for any damage to the pump resulting from work carried out improperly.

- Take advantage of our service training programs; additional information at www.pfeiffer-vacuum.net.
- Please state all the information on the pump rating plate when ordering spare parts.

10 Service

Pfeiffer Vacuum offers first-class service!

- Maintenance/repairs on site by Pfeiffer Vacuum field service
- Maintenance/repairs in a nearby service center or service point
- Fast replacement with exchange products in mint condition
- Advice on the most cost-efficient and quickest solution

Detailed information and addresses at: **www.pfeiffer-vacuum.net (Service)**.

Maintenance and repairs in Pfeiffer Vacuum ServiceCenter

The following steps are necessary to ensure a fast, smooth servicing process:

- Download the forms "Service Request" and "Declaration on Contamination".¹⁾
- Fill out the "Service Request" form and send it by fax or e-mail to your Pfeiffer Vacuum service address.
- Include the confirmation on the service request from Pfeiffer Vacuum with your shipment.
- Fill in the contamination declaration and enclose it in the shipment (required!).
- Dismantle all accessories.
- Drain operating fluid/lubricant.
- Drain cooling medium, if used.
- Send the pump or unit in its original packaging if possible.

Sending of contaminated pumps or devices

No units will be accepted if they are contaminated with micro-biological, explosive or radioactive substances. "Hazardous substances" are substances and compounds in accordance with the hazardous goods directive (current version). If pumps are contaminated or the declaration on contamination is missing, Pfeiffer Vacuum performs decontamination at the shipper's expense.

- Neutralise the pump by flushing it with nitrogen or dry air.
- Close all openings airtight.
- Seal the pump or unit in suitable protective film.
- Return the pump/unit only in a suitable and sturdy transport container and send it in while following applicable transport conditions.

Service orders

All service orders are carried out exclusively according to our repair conditions for vacuum units and components.

¹⁾ Forms under www.pfeiffer-vacuum.net

11 Spare parts

11.1 Spare parts packages

The spare parts packages listed here are only applicable for standard models. Please state all information on the rating plate when ordering spare parts. Other spare parts than those described in this manual must not be used without the agreement of Pfeiffer Vacuum.

Set of seals

The set of seals contains all seals including all o-rings of the assembly groups and the subassemblies.

Maintenance kit

The pack contains the o-rings of the operating fluid filler and drain screw for changing the operating fluid. Also the radial shaft seal ring(s) and the o-ring for the casing after cleaning the operating fluid sump is included.

Set of vanes

The pack contains the vanes of the pump stages and the vane springs.

Overhaul kit

The pack contains all wearing parts of the pump to replace the following parts after dismantling the whole pump:

- Set of seals
- Wearing parts of the pumping system
- Wearing parts of the vacuum safety valve
- Wearing parts of the gas ballast valve.

Set of vacuum safety valve

The pack contains the wearing parts of the vacuum safety valve. Also the o-rings between the valve housing and the pumping system and the o-ring of the casing are included.

Set of discharge valves

The pack contains the wearing parts of the discharge valves. Also the wearing parts of the exhaust valve and the o-ring of the casing are included.

Coupling kit

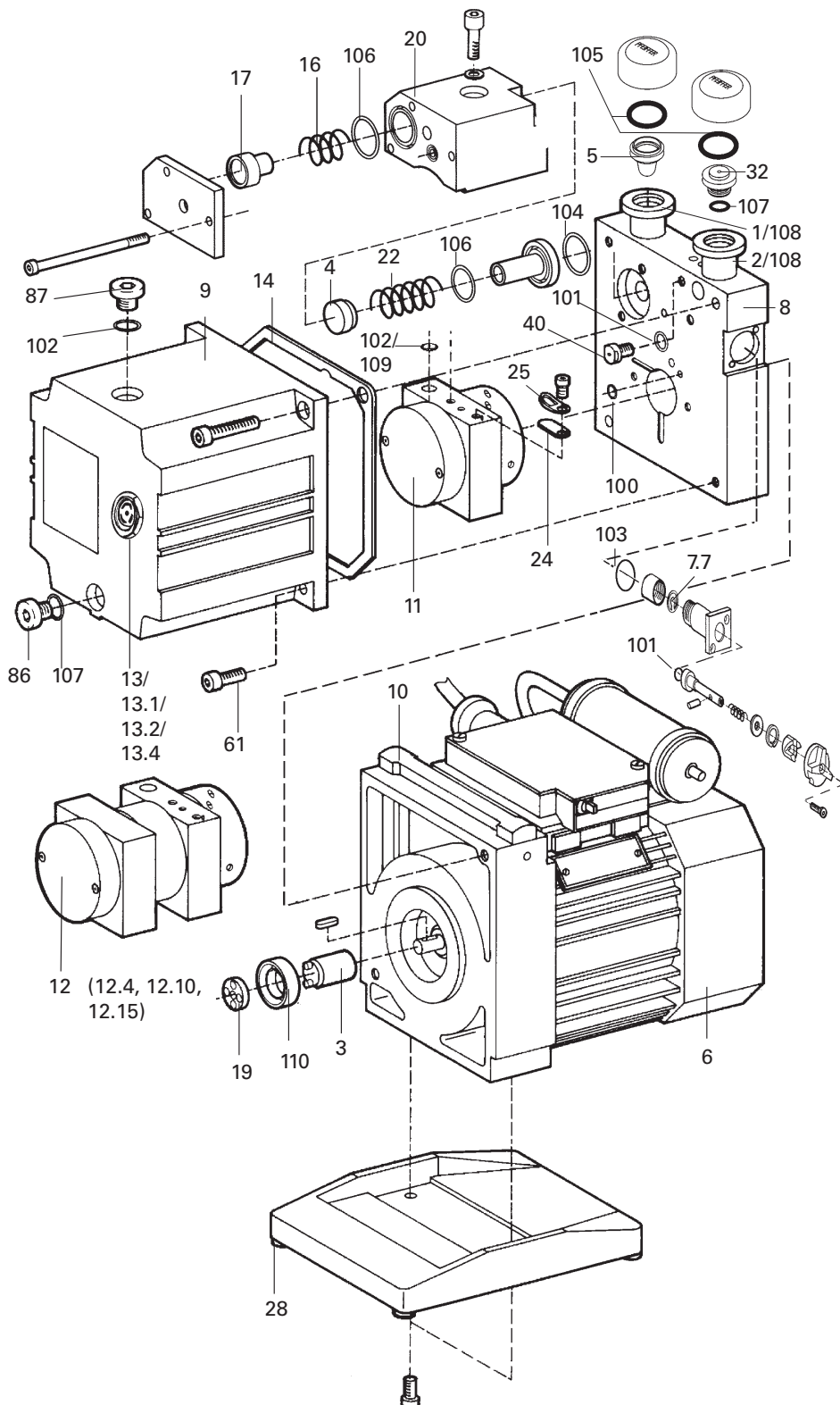
The pack contains the coupling halves, the can and the radial shaft seal rings.

Standard pump type	Pump type	Set of seals	Set of vanes	Maintenance kit	Overhaul kit	Set of vacuum safety valves	Discharge valves	Coupling kit
PK D31 707 ... PK D31 712	UNO 2.5	PK E00 002 -T	PK E08 003 -T	PK E01 004 -T	PK E02 005 -T	PK E04 001 -T	PK E05 001 -T	PK E06 001 -T
PK D41 707 ... PK D41 712	DUO 2.5	PK E00 002 -T	PK E08 014 -T	PK E01 004 -T	PK E02 008 -T	PK E04 001 -T	PK E05 001 -T	PK E06 001 -T
PK D31 807 ... PK D31 812	UNO 5	PK E00 002 -T	PK E08 004 -T	PK E01 004 -T	PK E02 026 -T	PK E04 007 -T	PK E05 010 -T	PK E06 001 -T

Spare parts package	No.	Parts according to the exploded view on the following page
Set of seals	PK E00 002 -T	13.1, 14, 100, 101, 102, 103, 104, 105, 106, 107, 108, 109*, 110.
Set of vanes	PK E08 003 -T	12.4, 12.10, 12.15
	PK E08 004 -T	
	PK E08 014 -T	
Maintenance kit	PK E01 004 -T	14, 101, 102, 107, 110.
Overhaul kit	PK E02 005 -T	PK E00 002 -T, 3, 4, 7.7, 13, 16, 17, 19, 22, 24, 12.4, 12.10, 12.15
	PK E02 008 -T	PK E00 002 -T, 3, 4, 7.7, 13, 16, 17, 19, 22, 24, 12.4, 12.10, 12.15
	PK E02 026-T	PK E00 002 -T, 3, 4, 13, 7.1, 7.2, 7.7, 12.4, 12.10, 12.15, 13.3, 16, 17, 19, 22, 24, 28, 31.
Set of vacuum safety valves	PK E04 001 -T	4, 14, 16, 17, 22, 102, 104, 106.
	PK E04 007 -T	4, 14, 16, 17, 22, 104, 106, 109.
Discharge valves	PK E05 001 -T	14, 24, 25, 102, 104, 106.
	PK E05 010 -T	14, 24, 25, 104, 106, 109.
Coupling kit	PK E06 001 -T	3, 19, 110.

* only for UNO 5

Exploded view



- 1 Intake connection
- 2 Exhaust connection
- 3 Coupling half
- 4 Valve plate
- 5 Cone strainer
- 6 Motor
- 7 Gas ballast valve
- 7.1 O-ring (Fig. see Chap. 6.3)
- 7.2 O-ring (Fig. see Chap. 6.3)
- 7.7 Valve flap/gas ballast valve
- 8 Support stand
- 9 Casing
- 10 Handle
- 11 Pump system (UNO)
- 12 Pump system (DUO)
- 12.4 Vane
- 12.10 Hydraulic vane
- 12.15 Vane spring
- 13 Sightglass
- 13.1 Sightglass seal (round)
- 13.2 Sightglass seal (oval)
- 13.4 Sightglass seal (oval)
- 14 Seal of casing
- 16 Compression spring
- 17 Hydraulic valve
- 19 Coupling disk
- 20 Vacuum safety valve housing
- 22 Compression spring
- 24 Valve flap
- 25 Valve trap
- 28 Rubber foot
- 32 Centering ring/Centering ring with nozzle
- 40 Silencer
- 86 Operating fluid drain screw
- 87 Operating fluid filler screw
- 100 O-ring
- 101 O-ring
- 102 O-ring
- 103 O-ring
- 104 O-ring
- 105 O-ring
- 106 O-ring
- 107 O-ring
- 108 O-ring
- 109 O-ring
- 110 Radial shaft seal ring

12 Accessories

Description	UNO 2.5	DUO 2.5
KAS 16, Condensate separator for pumping speeds of up to 2.5-5 m ³ /h	PK Z10 003	PK Z10 003
ONF 16, oil mist filter for pumping speeds of up to 2.5-5 m ³ /h	PK Z40 003	PK Z40 003
Oil return unit from ONF 16 to DUO 2.5	PK 194 315-T	PK 194 315-T
STP 016, dust separator, single-stage for minor contamination	PK Z60 203	PK Z60 203
ZFO 016, zeolite trap	PK Z70 003	PK Z70 003

Description	UNO 5
KAS 16, Condensate separator for pumping speeds of up to 2.5-5 m ³ /h	PK Z10 003
ONF 16, oil mist filter for pumping speeds of up to 2.5-5 m ³ /h	PK Z40 003
Oil return unit from ONF 16 to DUO 2.5	PK 194 315-T
STP 016, dust separator, single-stage for minor contamination	PK Z60 203
ZFO 016, zeolite trap	PK Z70 003

Description	Size	Number
Operating fluid P3	1 litre	PK 001 106 -T
Operating fluid P3	5 litre	PK 001 107 -T
Operating fluid P3	20 litre	PK 001 108 -T
Operating fluid F4	1 litre	PK 005 887 -T
Operating fluid F4	0,5 litre	PK 005 886 -T
Operating fluid F4	0,25 litre	PK 005 885 -T
Operating fluid D1	1 litre	PK 005 875 -T
Operating fluid D1	5 litre	PK 005 876 -T
Operating fluid D1	20 litre	PK 005 877 -T

13 Technical data

Parameter	UNO 2.5	DUO 2.5
Flange (in)	DN 16 ISO-KF	DN 16 ISO-KF
Flange (out)	DN 16 ISO-KF	DN 16 ISO-KF
Pumping speed at 50 Hz	2.5 m ³ /h	2.5 m ³ /h
Pumping speed at 60 Hz	2.9 m ³ /h	2.9 m ³ /h
Ultimate pressure with gas ballast	≤ 1 mbar	≤ 6·10 ⁻³ mbar
Ultimate pressure without gas ballast	≤ 5·10 ⁻² mbar	≤ 6·10 ⁻³ mbar
Leakage rate safety valve	≤ 1·10 ⁻⁴ mbar l/s	1·10 ⁻⁴ mbar l/s
Water vapor tolerance at 50 Hz	15 mbar	15 mbar
Water vapor tolerance at 60 Hz	15 mbar	15 mbar
Water vapor capacity 50 Hz	26 g/h	30 g/h
Water vapor capacity 60 Hz	30 g/h	34 g/h
Emission sound pressure level without gas ballast	≤ 53 dB (A)	≤ 53 dB (A)
Pump fluid filling	0.45 l	0.4 l
Rated power 50 Hz	0.15 kW	0.15 kW
Rated power 60 Hz	0.18 kW	0.18 kW
Rotation speed at 50 Hz	3000 1/rpm	3000 1/rpm
Rotation speed at 60 Hz	3600 1/rpm	3600 1/rpm
Switch	Yes, with 2 m mains cable with safety plug	Yes, with 2 m mains cable and safety plug
Weight	10.2 kg	10.5 kg

Parameter	UNO 5
Flange (in)	DN 16 ISO-KF
Flange (out)	DN 16 ISO-KF
Pumping speed at 50 Hz	4.6 m ³ /h
Pumping speed at 60 Hz	5.1 m ³ /h
Ultimate pressure with gas ballast	1 mbar
Ultimate pressure without gas ballast	≤ 5·10 ⁻² mbar
Leakage rate safety valve	≤ 1·10 ⁻⁴ mbar l/s
Water vapor tolerance at 50 Hz	20 mbar
Water vapor tolerance at 60 Hz	20 mbar
Water vapor capacity 50 Hz	65 g/h
Water vapor capacity 60 Hz	75 g/h
Emission sound pressure level without gas ballast	≤ 55 dB (A)
Pump fluid filling	0.4 l
Rated power 50 Hz	0.15 kW
Rated power 60 Hz	0.18 kW
Rotation speed at 50 Hz	3000 1/rpm
Rotation speed at 60 Hz	3600 1/rpm
Switch	Yes, with 2 m mains cable and safety plug
Weight	10.5 kg

13.1 Dimensions

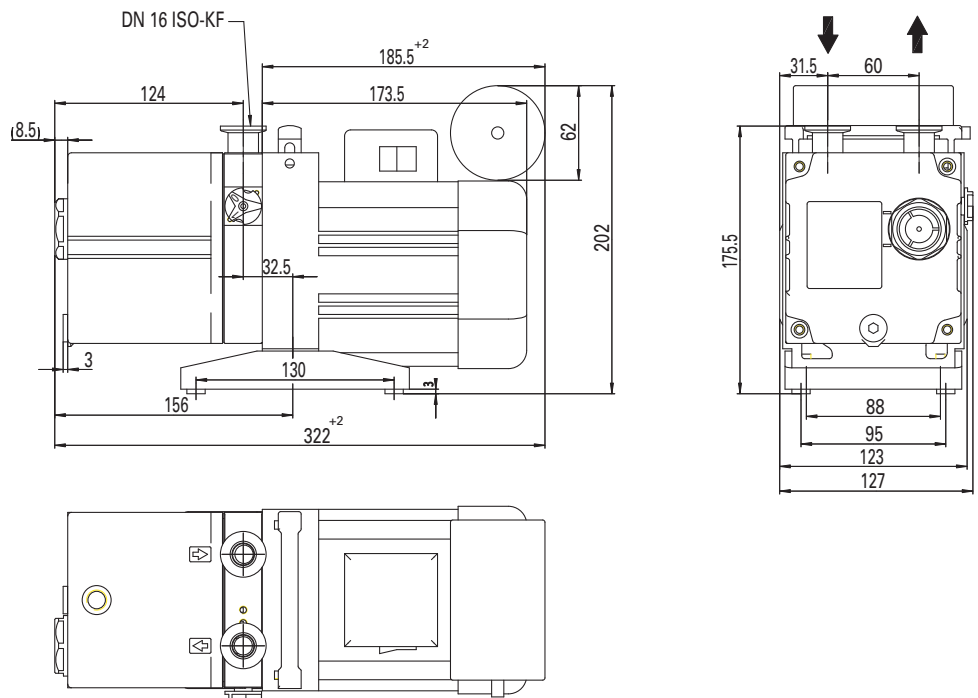
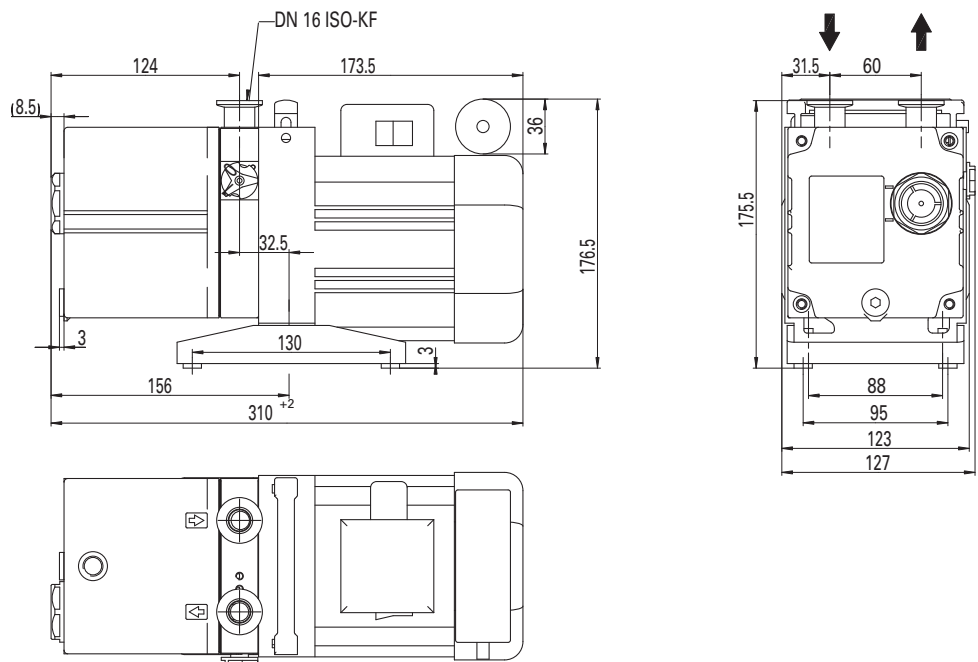


Fig. 11: Dimensions for motor versions: 95 ... 105 V, 50 Hz / 100 ... 115V, 60 Hz



**Fig. 12: Dimensions for motor versions: 190 ... 210 V, 50 Hz / 200 ... 220 V, 60 Hz;
220 ... 240 V, 50/60 Hz**

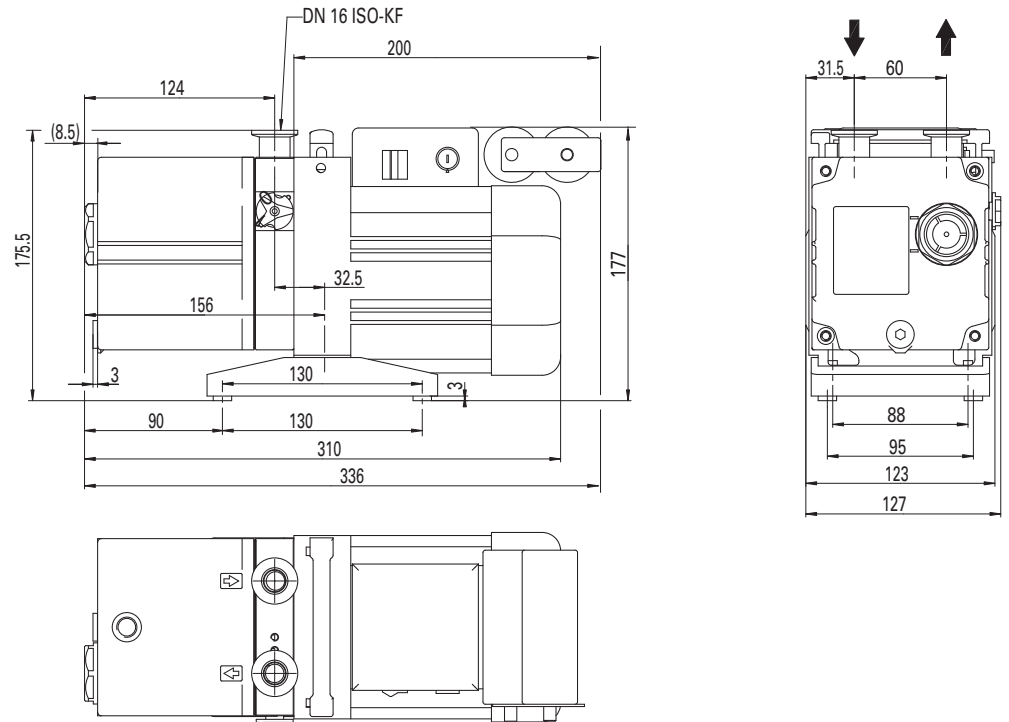


Fig. 13: Dimensions for motor versions: 115/230, 50/60 Hz

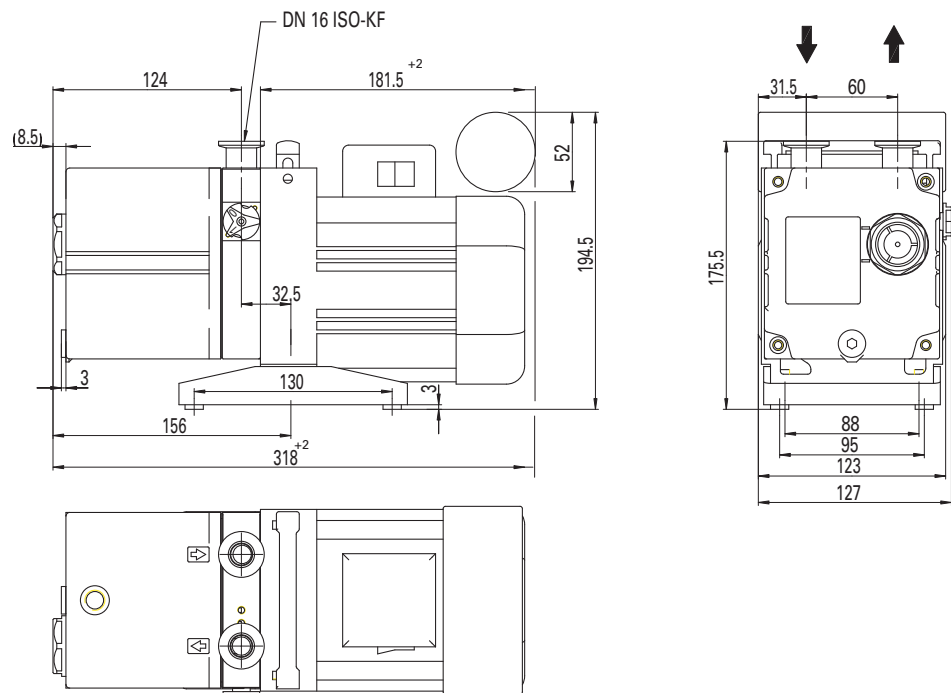


Fig. 14: Dimensions for motor versions: 100 ... 105 V, 50 Hz / 110 ... 130 V, 60 Hz



Declaration of conformity

according to the EC directive:

- **Machinery 2006/42/EC (Annex II, no. 1 A)**

We hereby declare that the product cited below satisfies all relevant provisions of EC Machinery Directive **2006/42/EC**.

In addition, the product cited below satisfies all relevant provisions of EC Directive "Electromagnetic Compatibility" **2004/108/EC**.

The agent responsible for compiling the technical documentation is Mr. Sebastian Oberbeck, Pfeiffer Vacuum GmbH, Berliner Straße 43, 35614 Asslar.

DuoLine[®]/DuoLine[™]

UNO/DUO 2.5, UNO 5, DUO 2.5 C

Guidelines, harmonised standards and national standards and specifications which have been applied:

DIN EN ISO 12100-1 : 2004	DIN EN 61010 : 2002	DIN EN 61000-6-3 : 2007
DIN EN ISO 12100-2 : 2004	DIN EN ISO 13857 : 2008	DIN EN 61000-6-4 : 2007
DIN EN 1012-2 : 1996	DIN EN 61000-6-1 : 2007	
DIN EN ISO 14121-1 : 2007	DIN EN 61000-6-2 : 2006	

Signatures:

Pfeiffer Vacuum GmbH
Berliner Straße 43
35614 Asslar
Germany

(M. Bender)
Managing Director

(Dr. M. Wiemer)
Managing Director

CE/2010

Vacuum is nothing, but everything to us!



Turbopumps



Rotary vane pumps



Roots pumps



Dry compressing pumps



Leak detectors



Valves



Components and feedthroughs



Vacuum measurement



Gas analysis



System engineering



Service

PFEIFFER  **VACUUM**

Pfeiffer Vacuum Technology AG · Headquarters/Germany

Tel. +49-(0) 64 41-8 02-0 · Fax +49-(0) 64 41-8 02-2 02 · info@pfeiffer-vacuum.de · www.pfeiffer-vacuum.net